

# PTZ Network Camera

2 Megapixel 20x H.264/265 Laser PTZ with PoE+

## Introduction

- » 2MP up to 60fps
- » Max resolution of 1920x1080
- » H.265 Compression
- » Optical zoom of 20x
- » Day /Night Operation
- » Onvif Compliance
- » 3 Years Warranty



Camera	
Image Sensor	1/2.8" Exmor CMOS
Effective Pixels	1920x1080
Signal System	PAL/NTSC
Minimum Illuminations	AGC On: Color: 0.5 lux, B/W : 0.05 lux, 0 lux with IR
White Balance	Auto/Manual//Indoor
S/N Ratio	≥ 50dB
BLC	On / Off
3D Location	n/a
Shutter Time	1/5 - 1/20,000s
Day & Night	IR cut filter with auto switch
Optical Zoom	20x
Privacy Masking	24 privacy masks programmable
Auto-Focus	Auto

Lens	
Focal Length	5mm -100mm
Angle of View (W x H)	58.5° x 33.2° - 3.1° x 1.7° (Wide~Tele)
Minimum Working Distance	0.1m(Wide) ~ 1.5m(Tele)
Aperture Range	F1.5~F3.2

Network	
Ethernet	10/100Mbps ethernet interface
Main Stream: / frame rate	1920*1080 @ 1-60fps (default 30); 1280*720 @ 1-60fps (default 30)
Sub Stream: / frame rate	D1 @ 1-25(30)fps ; 640*480 @ 1-25(30)fps; 320*240 @ 1-25(30)fps
Video Bitrate	30~16384 Kb/S continuously adjustable, CBR/VBR supported
Image Compression	H.264 Baseline/ Main Profile/ High Profile; H.265 Main Profile; MJPEG
Protocols	IPv4,TCP/IP, UDP, RTP, RTSP, RTCP, HTTP, DNS, DHCP, FTP, NTP, SMTP. Onvif v2.4
Storage Option	SDCard Supports, up to 128GB
Information Display	Dome Title, Preset, Pattern, Scan, Zone, Zoom, Alarm, Date/Time

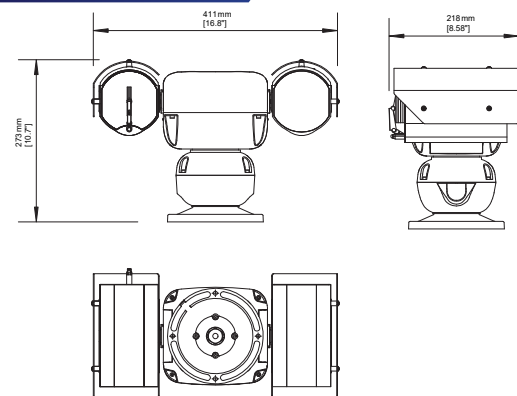
Interface	
External Control	RS485 2400/4800/9600/19200 bps
IO	1Alarm In, 1Alarm Out

Illuminator	
Type	Laser Light
Spectrum	810nm
Effective Range	500M (1640 Feet)

Pan & Tilt	
Rotation	Pan 360°continuously;Tilt 180° (with auto-flip)
Pan Speed	Pan Manual Speed: 0.4° -80°/s, Pan Preset Speed: 160°/s
Position Accuracy	±0.025°
Tilt Speed	Tilt Manual Speed: 0.4°-60°/s, Tilt Preset Speed: 120°/s
Proportional Zoom	Auto-speed proportionate to the length of focus
Number of preset	128 with user titles
Pattern Scan	4, each record time is not less than 180S

General	
Power loss recovery	Watch dog timer
Water Proof	IP66
Surge protection	Built-in TVS4000V, lightning-proof, surge-proof and wave-proof
Working Temperature/ Humidity:	-40°C~+70°C (-40°F~+158°F) / <90%(No condensation)
Mounting	Supplied with Wall Arm Bracket
Power Supply	24V AC
Power Consumption	Neutral product consumption≤40W With extra freezing-proof consumption≤100W
Dimension	411mm × 210mm × 269mm (16.2" x 8.26" x 10.59")
Weight	6.3kg (13.9lb)

## CAD Dimensions



# PTZ Network Camera

2 Megapixel 36x H.264/265 Laser PTZ with PoE+

## Introduction

- » 2MP up to 60fps
- » Max resolution of 1920x1080
- » H.265 Compression
- » Optical zoom of 36x
- » Day /Night Operation
- » Onvif Compliance
- » 3 Years Warranty



Camera	
Image Sensor	1/2.8" Exmor CMOS
Effective Pixels	1920x1080
Signal System	PAL/NTSC
Minimum Illuminations	AGC On: Color: 0.5 lux, B/W : 0.05 lux, 0 lux with IR
White Balance	Auto/Manual//Indoor
S/N Ratio	≥ 50dB
BLC	On / Off
3D Location	n/a
Shutter Time	1/5 - 1/20,000s
Day & Night	IR cut filter with auto switch
Optical Zoom	36x
Privacy Masking	24 privacy masks programmable
Auto-Focus	Auto

Lens	
Focal Length	4.6mm -165mm
Angle of View (W x H)	60.5° x 35.1° - 1.8° x 1.0° (Wide~Tele)
Minimum Working Distance	1m(Wide) ~ 1.5m(Tele)
Aperture Range	F1.6~F5.5

Network	
Ethernet	10/100Mbps ethernet interface
Main Stream: / frame rate	1920*1080 @ 1-60fps (default 30); 1280*720 @ 1-60fps (default 30)
Sub Stream: / frame rate	D1 @ 1-25(30)fps ; 640*480 @ 1-25(30)fps; 320*240 @ 1-25(30)fps
Video Bitrate	30~16384 Kb/S continuously adjustable, CBR/VBR supported
Image Compression	H.264 Baseline/ Main Profile/ High Profile; H.265 Main Profile; MJPEG
Protocols	IPv4,TCP/IP, UDP, RTP, RTSP, RTCP, HTTP, DNS, DHCP, FTP, NTP, SMTP. Onvif v2.4
Storage Option	SDCard Supports, up to 128GB
Information Display	Dome Title, Preset, Pattern, Scan, Zone, Zoom, Alarm, Date/Time

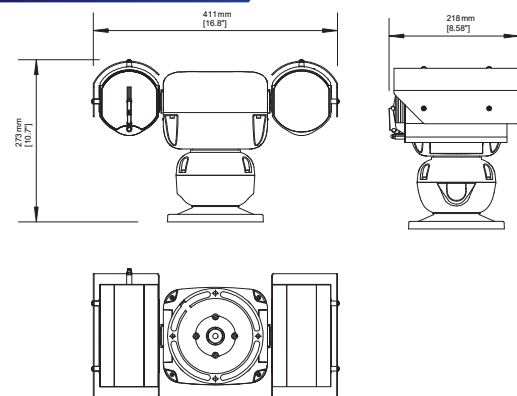
Interface	
External Control	RS485 2400/4800/9600/19200 bps
IO	1Alarm In, 1Alarm Out

Illuminator	
Type	Laser Light
Spectrum	810nm
Effective Range	500M (1640 Feet)

Pan & Tilt	
Rotation	Pan 360°continuously;Tilt 180° (with auto-flip)
Pan Speed	Pan Manual Speed: 0.4° -80°/s, Pan Preset Speed: 160°/s
Position Accuracy	±0.025°
Tilt Speed	Tilt Manual Speed: 0.4°-60°/s, Tilt Preset Speed: 120°/s
Proportional Zoom	Auto-speed proportionate to the length of focus
Number of preset	128 with user titles
Pattern Scan	4, each record time is not less than 180S

General	
Power loss recovery	Watch dog timer
Water Proof	IP66
Surge protection	Built-in TVS4000V, lightning-proof, surge-proof and wave-proof
Working Temperature/ Humidity:	-40°C~+70°C (-40°F~+158°F) / <90%(No condensation)
Mounting	Supplied with Wall Arm Bracket
Power Supply	24V AC
Power Consumption	Neutral product consumption≤40W With extra freezing-proof consumption≤100W
Dimension	411mm × 210mm × 269mm (16.2" x 8.26" x 10.59")
Weight	6.3kg (13.9lb)

## CAD Dimensions



# PTZ Network Camera

2 Megapixel 40x H.264/265 Laser PTZ with PoE+

## Introduction

- » 2MP up to 60fps
- » Max resolution of 1920x1080
- » H.265 Compression
- » Optical zoom of 40x
- » Day /Night Operation
- » Onvif Compliance
- » 3 Years Warranty



Camera	
Image Sensor	1/2.8" Exmor CMOS
Effective Pixels	1920x1080
Signal System	PAL/NTSC
Minimum Illuminations	AGC On: Color: 0.5 lux, B/W : 0.05 lux, 0 lux with IR
White Balance	Auto/Manual//Indoor
S/N Ratio	≥ 50dB
BLC	On / Off
3D Location	n/a
Shutter Time	1/5 - 1/20,000s
Day & Night	IR cut filter with auto switch
Optical Zoom	40x
Privacy Masking	24 privacy masks programmable
Auto-Focus	Auto

Lens	
Focal Length	6.8mm -272mm
Angle of View (W x H)	33.5° x 25.3° - 1.2° x 0.7° (Wide~Tele)
Minimum Working Distance	1m(Wide) ~ 1.5m(Tele)
Aperture Range	F1.8~F6.0

Network	
Ethernet	10/100Mbps ethernet interface
Main Stream: / frame rate	1920*1080 @ 1-60fps (default 30); 1280*720 @ 1-60fps (default 30)
Sub Stream: / frame rate	D1 @ 1-25(30)fps ; 640*480 @ 1-25(30)fps; 320*240 @ 1-25(30)fps
Video Bitrate	30~16384 Kb/S continuously adjustable, CBR/VBR supported
Image Compression	H.264 Baseline/ Main Profile/ High Profile; H.265 Main Profile; MJPEG
Protocols	IPv4,TCP/IP, UDP, RTP, RTSP, RTCP, HTTP, DNS, DHCP, FTP, NTP, SMTP. Onvif v2.4
Storage Option	SDCard Supports, up to 128GB
Information Display	Dome Title, Preset, Pattern, Scan, Zone, Zoom, Alarm, Date/Time

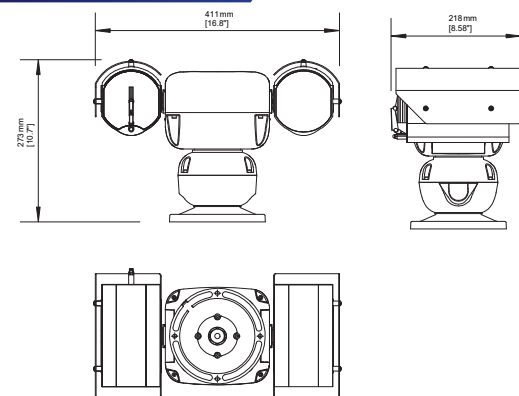
Interface	
External Control	RS485 2400/4800/9600/19200 bps
IO	1Alarm In, 1Alarm Out

Illuminator	
Type	Laser Light
Spectrum	810nm
Effective Range	500M (1640 Feet)

Pan & Tilt	
Rotation	Pan 360°continuously;Tilt 180° (with auto-flip)
Pan Speed	Pan Manual Speed: 0.4° -80°/s, Pan Preset Speed: 160°/s
Position Accuracy	±0.025°
Tilt Speed	Tilt Manual Speed: 0.4°-60°/s, Tilt Preset Speed: 120°/s
Proportional Zoom	Auto-speed proportionate to the length of focus
Number of preset	128 with user titles
Pattern Scan	4, each record time is not less than 180S

General	
Power loss recovery	Watch dog timer
Water Proof	IP66
Surge protection	Built-in TVS4000V, lightning-proof, surge-proof and wave-proof
Working Temperature/ Humidity:	-40°C~+70°C (-40°F~+158°F) / <90%(No condensation)
Mounting	Supplied with Wall Arm Bracket
Power Supply	24V AC
Power Consumption	Neutral product consumption≤40W With extra freezing-proof consumption≤100W
Dimension	411mm × 210mm × 269mm (16.2" x 8.26" x 10.59")
Weight	6.3kg (13.9lb)

## CAD Dimensions



# PTZ Network Camera

3 Megapixel 36x H.264/265 Laser PTZ with PoE+

## Introduction

- » 3MP up to 60fps
- » Max resolution of 2048x1536
- » H.265 Compression
- » Optical zoom of 36x
- » Day /Night Operation
- » Onvif Compliance
- » 3 Years Warranty



Camera	
Image Sensor	1/2.8" Exmor CMOS
Effective Pixels	2048x1536
Signal System	PAL/NTSC
Minimum Illuminations	AGC On: Color: 0.5 lux, B/W : 0.05 lux, 0 lux with IR
White Balance	Auto/Manual//Indoor
S/N Ratio	≥ 50dB
BLC	On / Off
3D Location	n/a
Shutter Time	1/5 - 1/20,000s
Day & Night	IR cut filter with auto switch
Optical Zoom	36x
Privacy Masking	24 privacy masks programmable
Auto-Focus	Auto

Lens	
Focal Length	4.6mm -165mm
Angle of View (W x H)	60.5° x 35.1° - 1.8° x 1.0° (Wide~Tele)
Minimum Working Distance	1m(Wide) ~ 1.5m(Tele)
Aperture Range	F1.6~F5.5

Network	
Ethernet	10/100Mbps ethernet interface
Main Stream: / frame rate	2048x1536, 1920x1080, 1280x720, 720x480, 720X576
Sub Stream: / frame rate	D1 @ 1-25(30)fps ; 640*480 @ 1-25(30)fps; 320*240 @ 1-25(30)fps
Video Bitrate	30~16384 Kb/S continuously adjustable, CBR/ VBR supported
Image Compression	H.264 Baseline/ Main Profile/ High Profile; H.265 Main Profile; MJPEG
Protocols	IPv4,TCP/IP, UDP, RTP, RTSP, RTCP, HTTP, DNS, DHCP, FTP, NTP, SMTP. Onvif v2.4
Storage Option	SDCard Supports, up to 128GB
Information Display	Dome Title, Preset, Pattern, Scan, Zone, Zoom, Alarm, Date/Time

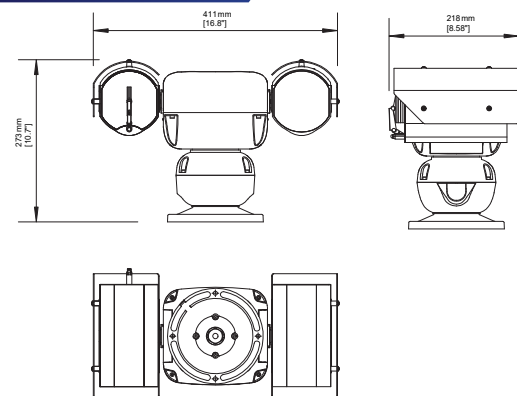
Interface	
External Control	RS485 2400/4800/9600/19200 bps
IO	1Alarm In, 1Alarm Out

Illuminator	
Type	Laser Light
Spectrum	810nm
Effective Range	500M (1640 Feet)

Pan & Tilt	
Rotation	Pan 360°continuously;Tilt 180° (with auto-flip)
Pan Speed	Pan Manual Speed: 0.4° -80°/s, Pan Preset Speed: 160°/s
Position Accuracy	±0.025°
Tilt Speed	Tilt Manual Speed: 0.4°-60°/s, Tilt Preset Speed: 120°/s
Proportional Zoom	Auto-speed proportionate to the length of focus
Number of preset	128 with user titles
Pattern Scan	4, each record time is not less than 180S

General	
Power loss recovery	Watch dog timer
Water Proof	IP66
Surge protection	Built-in TVS4000V, lightning-proof, surge-proof and wave-proof
Working Temperature/ Humidity:	-40°C~+70°C (-40°F~+158°F) / <90%(No condensation)
Mounting	Supplied with Wall Arm Bracket
Power Supply	24V AC
Power Consumption	Neutral product consumption≤40W With extra freezing-proof consumption≤100W
Dimension	411mm × 210mm × 269mm (16.2" x 8.26" x 10.59")
Weight	6.3kg (13.9lb)

## CAD Dimensions



# PTZ Network Camera

8 Megapixel 36x H.264/265 Laser PTZ with PoE+

## Introduction

- » 8MP up to 60fps
- » Max resolution of 3480x2180
- » H.265 Compression
- » Optical zoom of 30x
- » Day /Night Operation
- » Onvif Compliance
- » 3 Years Warranty



## Camera

Image Sensor	1/2.4" Exmor CMOS
Effective Pixels	3480x2180
Signal System	PAL/NTSC
Minimum Illuminations	AGC On: Color: 0.5 lux, B/W : 0.05 lux, 0 lux with IR
White Balance	Auto/Manual//Indoor
S/N Ratio	≥ 50dB
BLC	On / Off
3D Location	n/a
Shutter Time	1/5 - 1/20,000s
Day & Night	IR cut filter with auto switch
Optical Zoom	30x
Privacy Masking	24 privacy masks programmable
Auto-Focus	Auto

## Lens

Focal Length	6mm -180mm
Angle of View (W x H)	59° - 2.4° (Wide~Tele)
Minimum Working Distance	0.1m(Wide) ~ 1m(Tele)
Aperture Range	F1.5~F4.0

## Network

Ethernet	10/100Mbps ethernet interface
Main Stream: / frame rate	380x2140, 2048x1536, 1920x1080, 1280x720, 720x480, 720x576
Sub Stream: / frame rate	D1 @ 1-25(30)fps ; 640*480 @ 1-25(30)fps; 320*240 @ 1-25(30)fps
Video Bitrate	30~16384 Kb/S continuously adjustable, CBR/VBR supported
Image Compression	H.264 Baseline/ Main Profile/ High Profile; H.265 Main Profile; MJPEG
Protocols	IPv4,TCP/IP, UDP, RTP, RTSP, RTCP, HTTP, DNS, DHCP, FTP, NTP, SMTP. Onvif v2.4
Storage Option	SDCard Supports, up to 128GB
Information Display	Dome Title, Preset, Pattern, Scan, Zone, Zoom, Alarm, Date/Time

## Interface

External Control	RS485 2400/4800/9600/19200 bps
IO	1Alarm In, 1Alarm Out

## Illuminator

Type	Laser Light
Spectrum	810nm
Effective Range	500M (1640 Feet)

## Pan & Tilt

Rotation	Pan 360°continuously;Tilt 180° (with auto-flip)
Pan Speed	Pan Manual Speed: 0.4° -80°/s, Pan Preset Speed: 160°/s
Position Accuracy	±0.025°
Tilt Speed	Tilt Manual Speed: 0.4°-60°/s, Tilt Preset Speed: 120°/s
Proportional Zoom	Auto-speed proportionate to the length of focus
Number of preset	128 with user titles
Pattern Scan	4, each record time is not less than 180S

## General

Power loss recovery	Watch dog timer
Water Proof	IP66
Surge protection	Built-in TVS4000V, lightning-proof, surge-proof and wave-proof
Working Temperature/ Humidity:	-40°C~+70°C (-40°F~+158°F) / <90%(No condensation)
Mounting	Supplied with Wall Arm Bracket
Power Supply	24V AC
Power Consumption	Neutral product consumption≤40W With extra freezing-proof consumption≤100W
Dimension	411mm × 210mm × 269mm (16.2" x 8.26" x 10.59")
Weight	6.3kg (13.9lb)

## CAD Dimensions

