

Hand-held Metal Detector

Re-chargeable hand operated security wand

Portable lightweight • Instant detection • Fully supplied Kit
• Long life operation • Strong ABS material for durability.

Introduction

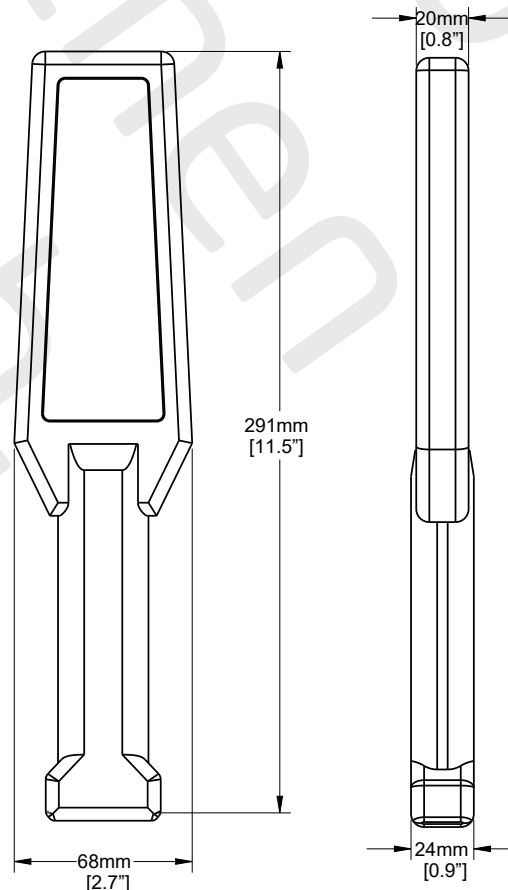
- » Police, courts, prisons and high-security facilities;
- » Airport security, border control, customs, military facilities and security checkpoints;
- » Public places like convention and exhibition centers, entertainment and cultural locations, sports facilities;
- » High-security facilities where precious metal detection is required, like mines, jewelry factories, or other facilities to prevent theft.
- » Medical and food quality inspection;
- » Metal detection in factories, sawmill, or playgrounds.

Features

- » Streamline appearance, small and easy to carry.
- » Easy to use, convenient and no need for additional setting.
- » Battery level indicator.
- » External charging port for continuous operation.
- » Adjustable High and Low sensitivity levels.
- » Shock resistant.



CAD Dimensions



Basic Parameters

Alarms	Visual, Audio Buzzer, Device Vibration
Visual Indicators	Red, Amber, Green Status
Controls	Power on/off

Electrical

Power	9V No.216 / PP3 6F22/15F85 Battery
Current	Less than 50mA
Battery Charger	90-240V AC adaptor (specify when ordering)

Detection

Pin or staple	30mm—60mm [1.18"—2.36"]
6" Dagger	200mm [7.75"]
Coin	70mm [2.75"]
Pistol	200mm [7.87"]

Physical

Dimensions	29.4cm(L) x 6.8cm(W) x 2.4cm(H) [11.5"(L) x 2.75"(W) x 0.94"(H)]
Weight	0.35lbs [0.16kgs]

Environmental

Operating Temperature	-40°F to 160°F [-40°C to 71°C]
Operating Humidity	5% to 95% (non-condensing)

Model Code

MD-HH-UHS	Hand-held Portable metal detector with wrist strap, re-chargeable battery pack.
-----------	---