

USER'S MANUAL FOR HIGH PERFORMANCE HANDHELD METAL DETECTOR



Revision	Date	Description	Initials
0	2017-01-02	New template	MA
---	---	---	---
---	---	---	---

Index

- Chapter 1 – INTRODUCTION 3
 - 1.1. Precautions 3
 - 1.2. Features 3
 - 1.3. Detection range 4
- Chapter 2 – OPERATION INSTRUCTIONS 4
 - 2.1. Device components 4
 - 2.2. Power on 5
 - 2.3. Detection and sensitivity scanning 5
 - 2.4. Powering and charging the device..... 5
- Chapter 3 – TROUBLESHOOTING AND SUPPORT 6

Chapter 1 – INTRODUCTION

The Aventura handheld metal detector can be used in a variety of locations for different purposes. It can be used by:

- police, courts, prisons, and high security facilities.
- airport security, border control, customs, military facilities, and security checkpoints;
- public places like convention and exhibition centers, entertainment and cultural locations, sports facilities, etc.
- high security facilities where precious metal detection is required, like mines, jewelry factories, or other facilities to prevent theft.
- medical and food quality inspection.
- metal detection in factories, sawmill or playgrounds.

1.1. Precautions

Turn off power after use. The metal detector has a green LED that will stay on while the power is ON. If not turned off, the LED will drain the battery.

If the metal detector is in constant contact with a metal surface, it will not sound or vibrate. It will send alarms when used for repetitive scans.

Use caution when charging the batteries. Use only rechargeable batteries, as non-rechargeable ones can explode and cause fire.

If external power is used, batteries can be removed.

Batteries are not included. If batteries are used Aventura recommends the use of rechargeable batteries.

1.2. Features

The handheld metal detector has the following features:

- Streamline appearance, small and easy to carry.
- Easy to use, convenient and no need for additional setting,
- Battery level indicator.
- External charging port for continuous operation.
- Adjustable High and Low sensitivity levels. Low sensitivity can be used in areas where there's too much interference from other metal structures or objects,
- Shock resistant. Can withstand 40 inches [1 meter] drops.

1.3. Detection range

The handheld metal detector is set up to detect the following objects with these distances:

Pin or staple	1-2 inches [30-60mm]
0.75 inch [20mm] diameter steel ball	4 inches [100mm]
Pistol	7.75-10 inches [200-250mm]
Six inch [150mm] dagger	7.75 inches [200mm]
Coin	2.75 inches [700 mm]

Chapter 2 – OPERATION INSTRUCTIONS

2.1. Device components

The MD-HH-UHS handheld metal detector is represented in the image below. See Table 1 for component part details.

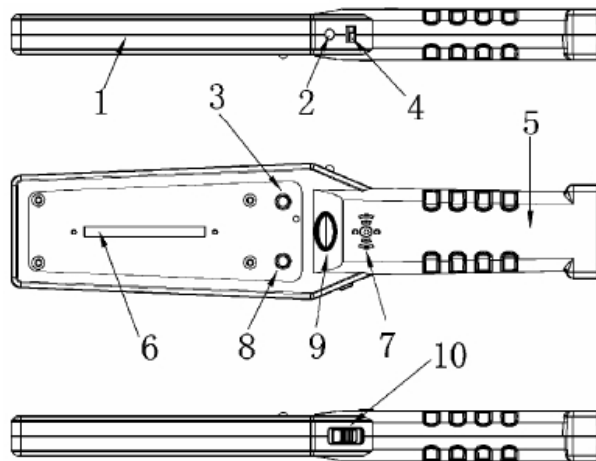


Image 2.1.a – Metal detector

1	Detecting surface
2	Low battery indicator (yellow LED)
3	Alarm indicator (red LED)
4	Charging port
5	Battery cover (rear)
6	Signal strength indicator (color changing LED)
7	Audio buzzer
8	Ready (green LED)
9	Sensitivity switch (reset)
10	Three position switches (Sound Alarm, Power Off and Vibration)

Table 2.1.a – Details

2.2. Power on

The handheld metal detector has a power switch with three positions (see callout 10 on Image 2.1. and Table 2.1.a). The center position will turn OFF the power to the device. The UP position (towards the front of the wand) will turn the device on and will enable only the vibration. The DOWN position (towards the bottom of the wand) will turn the device on, and will enable only the sound alarm.

When the device is on, the green LED will turn on and will blink (callout 8), and will stay on (blink) until device is turned off.

If the power LED does not turn green, or there is a continuous sound or vibration, the battery is depleted and needs to be replaced. Replace or recharge the battery and then try again. You can also check the low battery indicator (see callout 2). If the LED is yellow, replace the battery.

2.3. Detection and sensitivity scanning

Once the power is turned on, and the device is set to vibration or audio alarm, use the detection area of the metal detector (callout 1). If metal is detected, the wand will vibrate or make a sound.

There are also two visual indicators: a red LED (callout 3) and a signal strength indicator (callout 6). These will automatically turn on once metal is detected.

The High sensitivity can be used in day to day operations. In special cases, the Low sensitivity can be used. Use the sensitivity button (callout 9) to reduce the wand sensitivity in a ratio of 1:5 (sensitivity will be reduced five times). This is recommended when the area of interest is surrounded by metal objects that could trigger an alarm.

2.4. Powering and charging the device

The handheld metal detector has three ways of operation: battery, rechargeable battery and powered operation. No batteries are supplied with the unit. The unit operates with 9V (or E) size batteries.

Before battery installation, observe the battery polarity. The battery socket is marked with Positive (+) and Negative (-) symbols.

When used with non-rechargeable batteries, do not connect the unit to the 120Vac [220Vac] charger. This can cause a fire or explosion.

When used with rechargeable batteries, the yellow LED (see callout 2) will indicate when battery is running low. Connect the unit to the charger using the power jack (see callout 4). Recharging time depends on the selected battery capacity.

When used continuously, connect charger to the unit.

Chapter 3 – TROUBLESHOOTING AND SUPPORT

For Troubleshooting and Support, please contact Shenzhen Refresh Co., Ltd.:

Email: support@refreshsecurity.com

Web-site: <https://refreshsecurity.com>